



# AirWarden™ v3.1

## Sensor Spec Sheet

---

# Sensor Specifications



- Weatherproof NEMA Type 3R, 3RX/ IP24 enclosure.
- Fibreglass construction.
- Sensor components will be pre-mounted inside the enclosure, but need to be connected per the instructions.

Sensor Specifications	
Dimensions	19.5in x 17.5in x 10in (49.5 x 44.4 x 25.4 cm)
Weight	~ 35lbs / 15.88 kgs (without internal components)
Mounting	Determined by installer. No more than 50 ft / 15m of cable from the antenna to the splitter (inside the sensor enclosure).
Operating Temperature	-40°F ~ 167°F / -40°C ~ 75°C
Storage Temperature	-40°F ~ 185°F / -40° C ~ 85° C

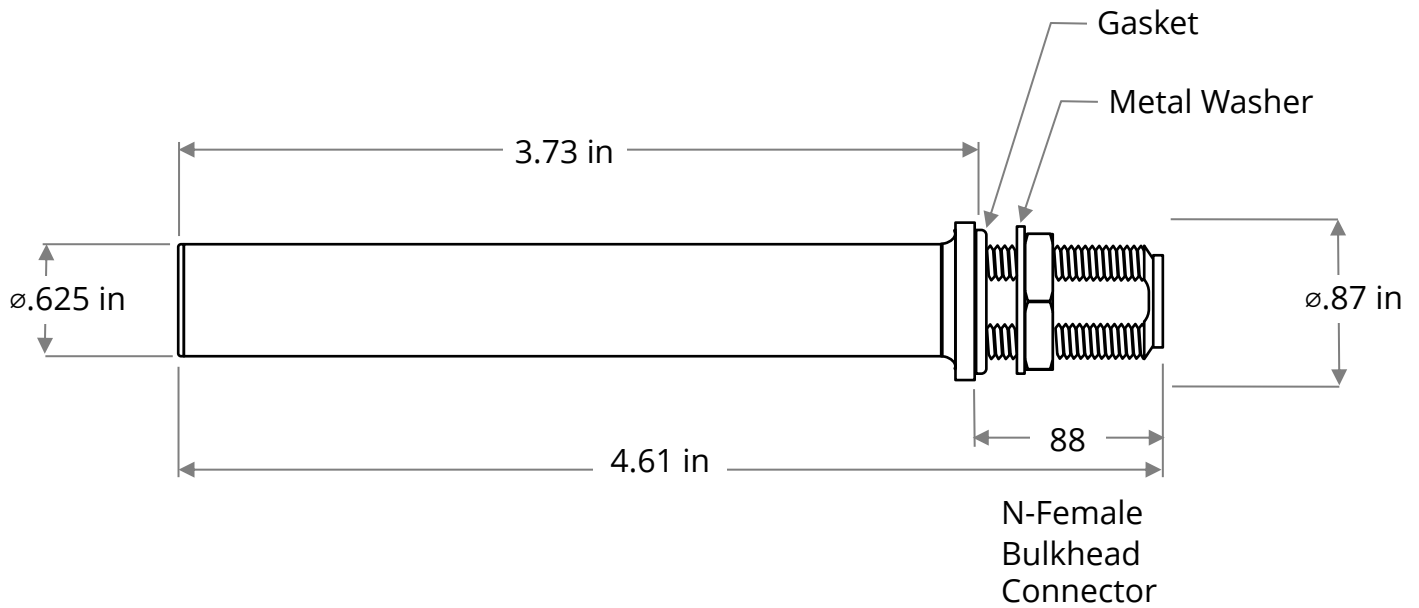
Sensor Power Requirements	
Sensor Computer Power	Up to 120V / 3 AMP / 35 W running power.
LTE Wireless Router (optional)	<p>Sensors equipped with the LTE wireless router option require additional power as follows:</p> <p>typical=400mA@12VDC (4.8W)</p> <p>worst case=800mA@12VDC (9.6W)</p>

# Antenna Specifications



Antenna ships with a black protective covering over the N-Female connector end. Cover should be removed before installation.

Antenna should be mounted in the location specified in the Site Survey.



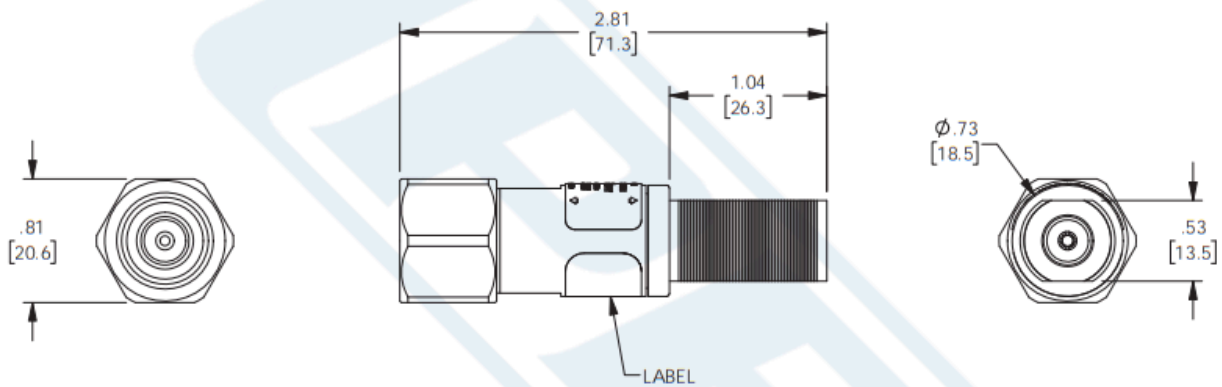
## Antenna Specifications

Dimensions	4.61 in (L) x 0.87 in (W) / 11.7cm (L) x 2.21cm (W)
Weight	2.6 oz / 74g
Frequency Range	Dual Band
Connector	Type N-Female Bulkhead

# Lightning Arrester Specifications



The lightning arrester is an RF surge protector has a coaxial in-line design.



## Antenna Specifications

Dimensions	2.81 in (L) x 0.81 in (W)
Weight	2.6 oz / 74g
Operating Range	-40 to 80 deg C
Connector	Input: N Female Output: N Male

# Control Server Specifications

The Control Server is *not* supplied by AeroDefense. Specifications are below.

Control Server Specifications	
Processor	2.5GHZ quad core
RAM	8GB
Storage	120GB Free
Operating System	Centos 7
Webserver	Apache
Database	MySQL
Time Server	NTP
Display	VGA/HDMI port is preferred, no built-in display required